



# TRADEGE

LIVE BY EXCHANGING



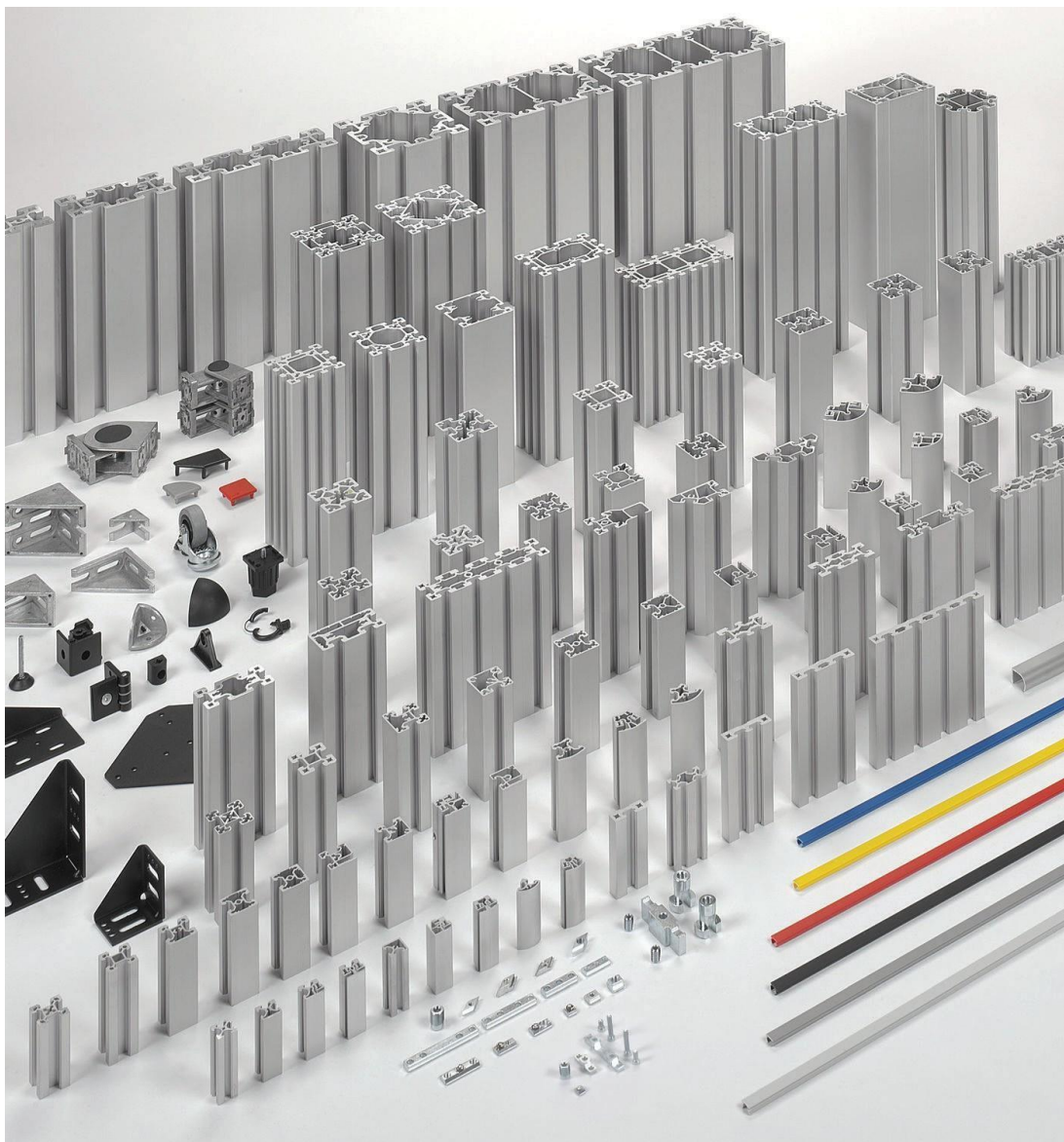
# TRADEGE

LIVE BY EXCHANGING

# INDEX

---

<b><u>Sigma Profiles</u></b>	<b><u>5</u></b>	<b><u>ACCESSORIES</u></b>	<b><u>14</u></b>
<b><u>Fitting Equipments</u></b>	<b><u>10</u></b>	<u>Edges</u>	<u>14</u>
<u>Spring Nuts</u>	<u>10</u>	<u>Hinges</u>	<u>15</u>
<u>Knurled Nuts</u>	<u>11</u>	<u>Cords</u>	<u>15</u>
<u>Rectangle Nuts</u>	<u>11</u>	<u>Foot</u>	<u>16</u>
<u>Square Nuts</u>	<u>12</u>	<u>Plastic Caps</u>	<u>17</u>
<u>T Slot Nuts</u>	<u>12</u>	<u>Others</u>	<u>18</u>
<u>Butt Bolts</u>	<u>13</u>	<b><u>Applications</u></b>	<b><u>20</u></b>

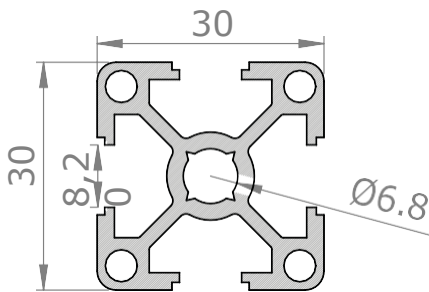
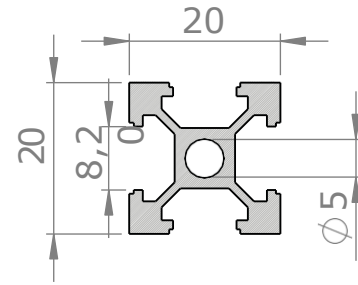


# Sigma Profiles

## SP2020 - 20x20 Sigma Profile

This item provides practical solutions for small size working units, tool boxes, optimized constructions like, cabins, panels, showcases and 3B printer.

Size	mm	20x20
Height	mm	6000
Moment of Inertia Ix	cm <sup>4</sup>	0,61
Moment of Inertia Iy	cm <sup>4</sup>	0,61
Moment of Resistance Wx	cm <sup>3</sup>	0,71
Moment of Resistance Wy	cm <sup>3</sup>	0,71
Weight	kg/mt	0,461



Size	mm	30x30
Height	mm	6000
Moment of Inertia Ix	cm <sup>4</sup>	2,70
Moment of Inertia Iy	cm <sup>4</sup>	2,70
Moment of Resistance Wx	cm <sup>3</sup>	1,80
Moment of Resistance Wy	cm <sup>3</sup>	1,80

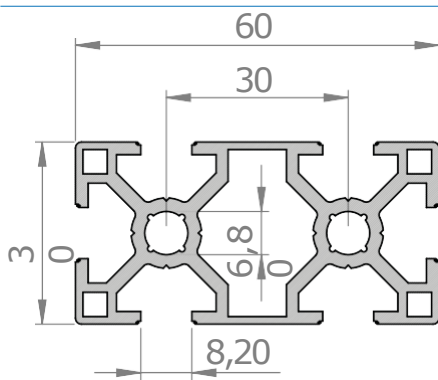
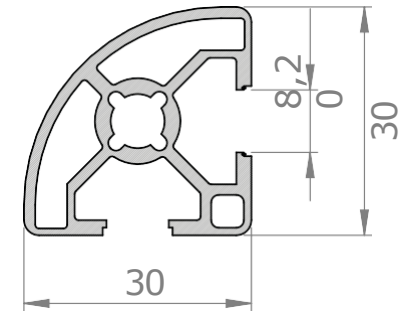
## SP3030- 30x30 Sigma Profile

Usually, it used for cabin construction. 30x30 profiles preferred in light construction. Other usage areas; panels, showcases, etc.

## SP3030R - 30x30 RADIUS Sigma Profile

For decorative view like stand, panel, cabin, it is possible to make designs with radius profiles. Aesthetic appearance can be had with applying special connectors and accessories.

Weight	kg/mt	0,820
Size	mm	30x30
Height	mm	6000
Moment of Inertia Ix	cm <sup>4</sup>	1,72
Moment of Inertia Iy	cm <sup>4</sup>	2,49
Moment of Resistance Wx	cm <sup>3</sup>	1,30
Moment of Resistance Wy	cm <sup>3</sup>	1,30
Weight	kg/mt	0,894



Size	mm	30x60
Height	mm	6000
Moment of Inertia Ix	cm <sup>4</sup>	19,92
Moment of Inertia Iy	cm <sup>4</sup>	5,18
Moment of Resistance Wx	cm <sup>3</sup>	6,60
Moment of Resistance Wy	cm <sup>3</sup>	3,40
Weight	kg/mt	0,82

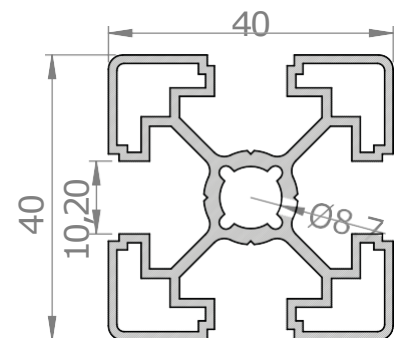
## SP3060- 30x60 Sigma Profile

This profile is used in constructions of light machine chassis, cabin applications, sliding gates. Protection and laboratory hardware, automation establishments and special conveyor chassis are other usage areas.

## SP4040L - 40x40 Light Sigma Profile

This item can be used in applications of light chassis, cabin applications, and conveyor chassis foot. Light constructions, platform girders and the foot of chassis and divisions are the other usage areas.

Size	mm	40x40
Height	mm	6000
Moment of Inertia Ix	cm <sup>4</sup>	8,16
Moment of Inertia Iy	cm <sup>4</sup>	8,16
Moment of Resistance Wx	cm <sup>3</sup>	4,50
Moment of Resistance Wy	cm <sup>3</sup>	4,50
Weight	kg/mt	1,121

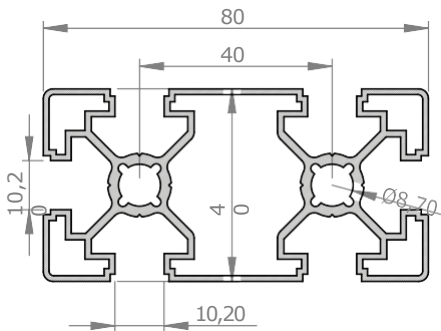
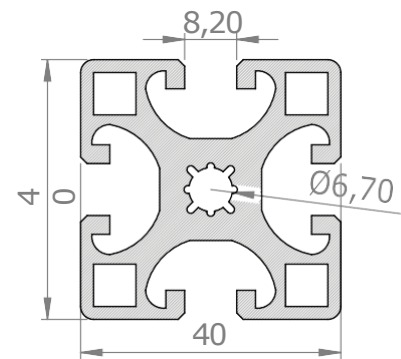


# Sigma Profiles

## SP4040 - 40x40 Sigma Profile

SP4040 can be used in all chassis, cabin applications, conveyor chassis, platform girders and constructions, it is useful and compatible for each and every usage areas.

Size	mm	40x40
Height	mm	6000
Moment of Inertia Ix	cm <sup>4</sup>	9,50
Moment of Inertia Iy	cm <sup>4</sup>	9,50
Moment of Resistance Wx	cm <sup>3</sup>	4,96
Moment of Resistance Wy	cm <sup>3</sup>	4,96
Weight	kg/mt	1,82



Size	mm	40x80
Height	mm	6000
Moment of Inertia Ix	cm <sup>4</sup>	12,60
Moment of Inertia Iy	cm <sup>4</sup>	49,10
Moment of Resistance Wx	cm <sup>3</sup>	6,30
Moment of Resistance Wy	cm <sup>3</sup>	12,27
Weight	kg/mt	2,20

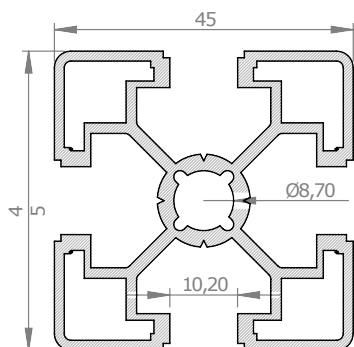
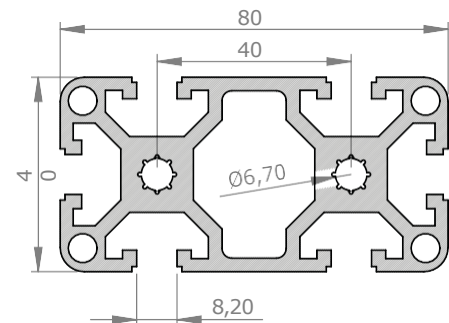
## SP4080L - 40x80 Light Sigma Profile

Making all constructions work, this type of profile is also used for chassis and platform sections. Panels and platform girders are also it's usage areas.

## SP4080 - 40x80 Sigma Profile

Just like it's light version, SP4080 is making all constructions work, this type of profile is also used for chassis and platform sections. Panels and platform girders are also it's usage areas.

Size	mm	40x80
Height	mm	6000
Moment of Inertia Ix	cm <sup>4</sup>	71,45
Moment of Inertia Iy	cm <sup>4</sup>	17,51
Moment of Resistance Wx	cm <sup>3</sup>	6,60
Moment of Resistance Wy	cm <sup>3</sup>	3,40
Weight	kg/mt	3,23



Size	mm	45x45
Height	mm	6000
Moment of Inertia Ix	cm <sup>4</sup>	9,19
Moment of Inertia Iy	cm <sup>4</sup>	9,19
Moment of Resistance Wx	cm <sup>3</sup>	4,80
Moment of Resistance Wy	cm <sup>3</sup>	4,80
Weight	kg/mt	1,45

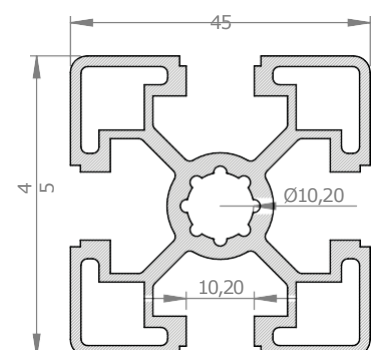
## SP4545L - 45x45 Light Sigma Profile

SP4545 is preferred for light chassis that requires normal resistance. It is used for cabins that covers machines, windows and panels.

## SP4545 - 45x45 Sigma Profile

Machine chassis taps, constructions with resistance, production lines, automation processes are the usage areas and can be preferred in these instances.

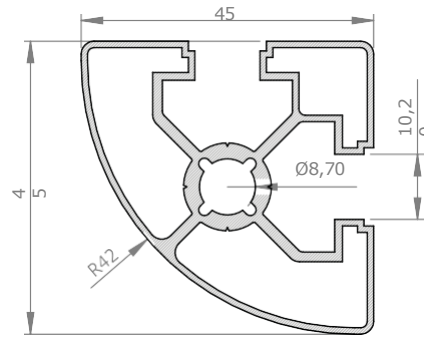
Size	mm	45x45
Height	mm	6000
Moment of Inertia Ix	cm <sup>4</sup>	9,19
Moment of Inertia Iy	cm <sup>4</sup>	9,19
Moment of Resistance Wx	cm <sup>3</sup>	4,80
Moment of Resistance Wy	cm <sup>3</sup>	4,80
Weight	kg/mt	1,65



# Sigma Profiles

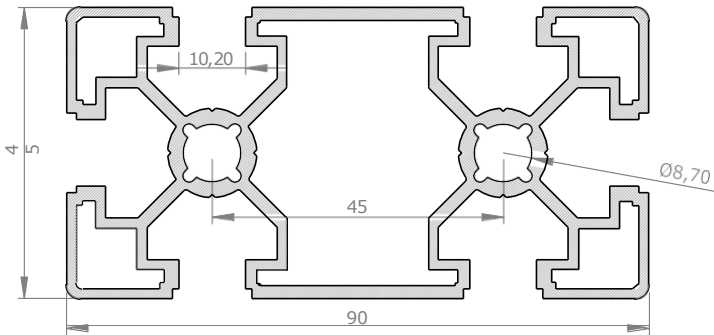
## SP4545R - 45x45 RADIUS Sigma Profile

Size	mm	45x45
Height	mm	6000
Moment of Inertia Ix	cm <sup>4</sup>	7,37
Moment of Inertia Iy	cm <sup>4</sup>	10,58
Moment of Resistance Wx	cm <sup>3</sup>	3,30
Moment of Resistance Wy	cm <sup>3</sup>	3,30
Weight	kg/mt	1,47



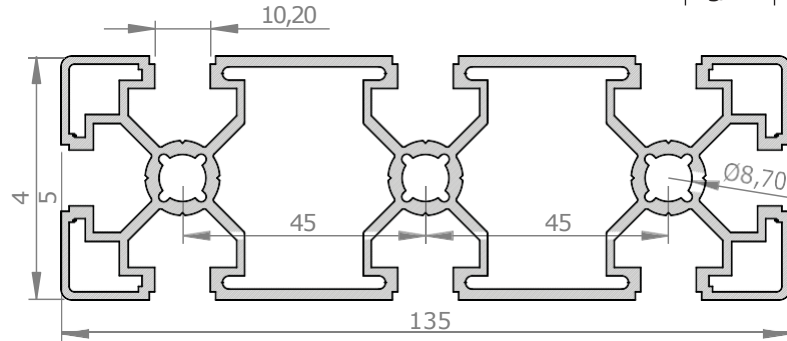
## SP4590-45x90Sigma Profile

Size	mm	45x90
Height	mm	6000
Moment of Inertia Ix	cm <sup>4</sup>	67,36
Moment of Inertia Iy	cm <sup>4</sup>	19,45
Moment of Resistance Wx	cm <sup>3</sup>	18,40
Moment of Resistance Wy	cm <sup>3</sup>	18,40
Weight	kg/mt	2,52



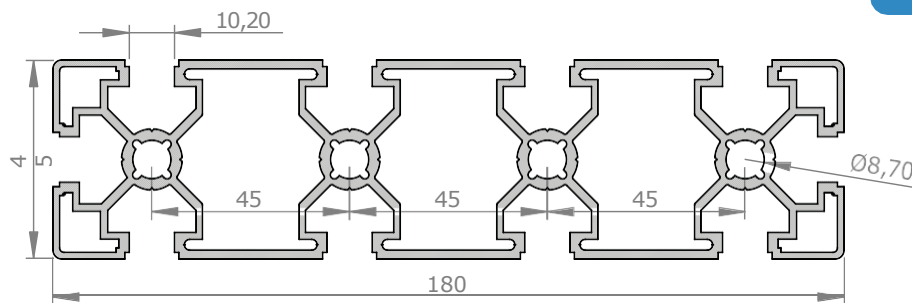
## SP45135 - 45x135 Sigma Profile

Size	mm	45x135
Height	mm	6000
Moment of Inertia Ix	cm <sup>4</sup>	324
Moment of Inertia Iy	cm <sup>4</sup>	41,80
Moment of Resistance Wx	cm <sup>3</sup>	61,80
Moment of Resistance Wy	cm <sup>3</sup>	3,40
Weight	kg/mt	4,81



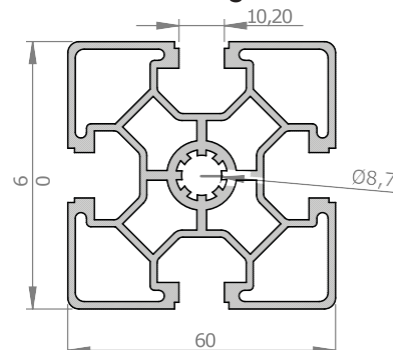
## SP45180 -45x180 SigmaProfile

Size	mm	45x180
Height	mm	6000
Moment of Inertia Ix	cm <sup>4</sup>	768
Moment of Inertia Iy	cm <sup>4</sup>	58,20
Moment of Resistance Wx	cm <sup>3</sup>	88,60
Moment of Resistance Wy	cm <sup>3</sup>	29,70
Weight	kg/mt	6,37



## SP6060T-60x60 SingleDuct Sigma Profile

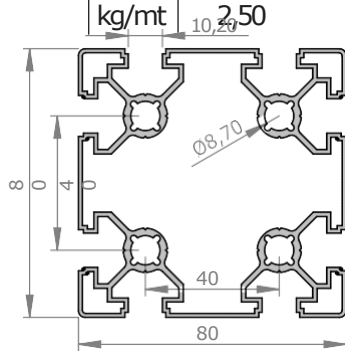
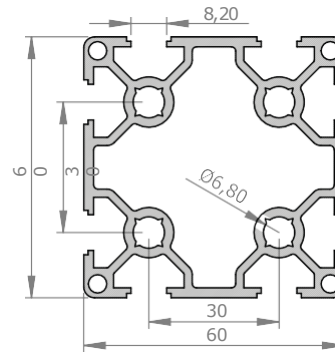
Size	mm	60x60
Height	mm	6000
Moment of Inertia Ix	cm <sup>4</sup>	35,63
Moment of Inertia Iy	cm <sup>4</sup>	35,63
Moment of Resistance Wx	cm <sup>3</sup>	10,80
Moment of Resistance Wy	cm <sup>3</sup>	10,80
Weight	kg/mt	2,62



# Sigma Profiles

## SP6060C- 60x60 DualDuct Sigma Profile

Size	mm	60x60
Height	mm	6000
Moment of Inertia Ix	cm <sup>4</sup>	38,50
Moment of Inertia Iy	cm <sup>4</sup>	38,50
Moment of Resistance Wx	cm <sup>3</sup>	12,83
Moment of Resistance Wy	cm <sup>3</sup>	12,83
Weight	kg/mt	2,50

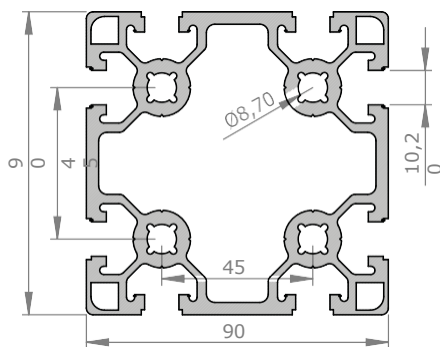
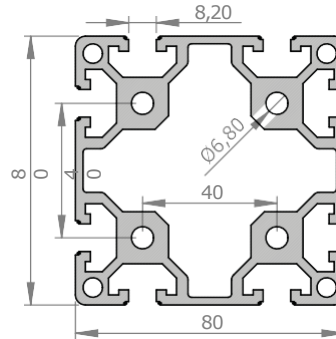


## SP8080L - 80x80 Light Sigma Profile

Size	mm	80x80
Height	mm	6000
Moment of Inertia Ix	cm <sup>4</sup>	88,08
Moment of Inertia Iy	cm <sup>4</sup>	88,08
Moment of Resistance Wx	cm <sup>3</sup>	22,02
Moment of Resistance Wy	cm <sup>3</sup>	22,02
Weight	kg/mt	3,20

## SP8080 - 80x80 Sigma Profile

Size	mm	80x80
Hgt	mm	6000
Inertia Ix	cm <sup>4</sup>	130,50
Inertia Iy	cm <sup>4</sup>	130,50
Moment of Resistance Wx	cm <sup>3</sup>	32,60
Moment of Resistance Wy	cm <sup>3</sup>	32,60
Weight	kg/mt	4,86

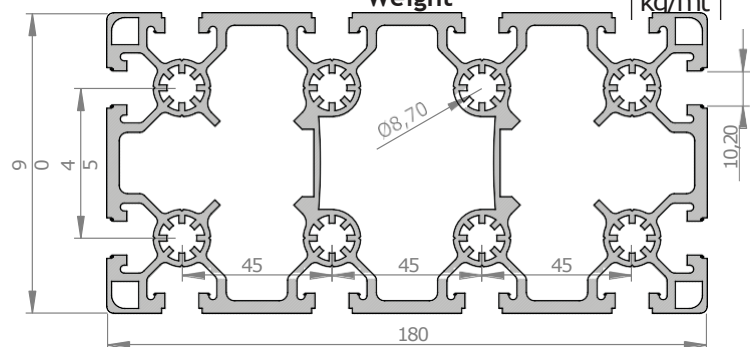


## SP9090 - 90x90 Sigma Profile

Size	mm	90x90
Height	mm	6000
Moment of Inertia Ix	cm <sup>4</sup>	236
Moment of Inertia Iy	cm <sup>4</sup>	236
Moment of Resistance Wx	cm <sup>3</sup>	58,90
Moment of Resistance Wy	cm <sup>3</sup>	58,90
Weight	kg/mt	6,17

## SP90180 - 90x180 Sigma Profile

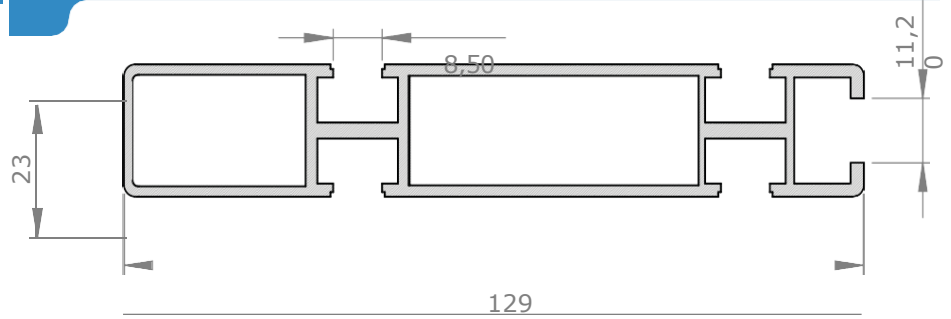
Size	mm	90x180
Height	mm	6000
Moment of Inertia Ix	cm <sup>4</sup>	1260
Moment of Inertia Iy	cm <sup>4</sup>	365
Moment of Resistance Wx	cm <sup>3</sup>	140
Moment of Resistance Wy	cm <sup>3</sup>	81,10
Weight	kg/mt	11,24



# Sigma Profiles

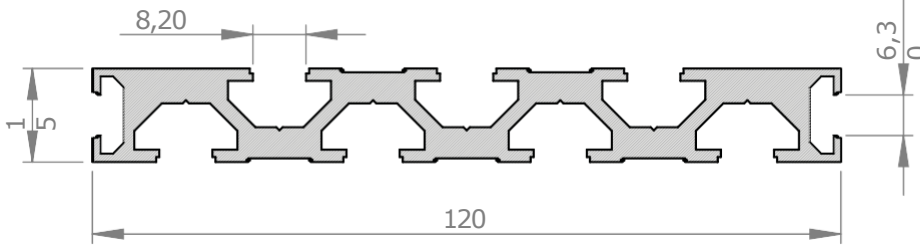
## SP23129 - 23x129 Conveyor Profile

Size	mm	23x129
Height	mm	6000
Moment of Inertia Ix	cm <sup>4</sup>	22
Moment of Inertia Iy	cm <sup>4</sup>	104
Moment of Resistance Wx	cm <sup>3</sup>	9,40
Moment of Resistance Wy	cm <sup>3</sup>	18,90
Weight	kg/mt	2,15



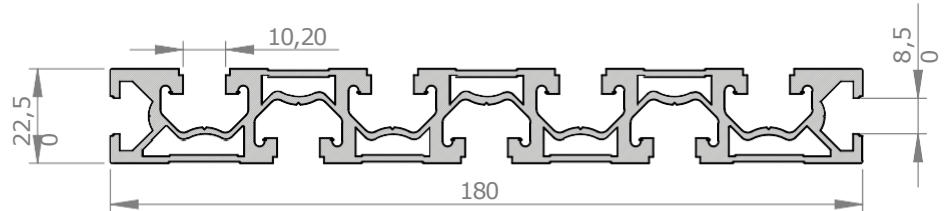
## SP15120 - 15x120 Slab Profile

Size	mm	15x120
Hgt	mm	6000
Inertia Ix	cm <sup>4</sup>	115
Inertia Iy	cm <sup>4</sup>	2,20
Moment of Resistance Wx	cm <sup>3</sup>	27,60
Moment of Resistance Wy	cm <sup>3</sup>	6,10
Weight	kg/mt	2,40



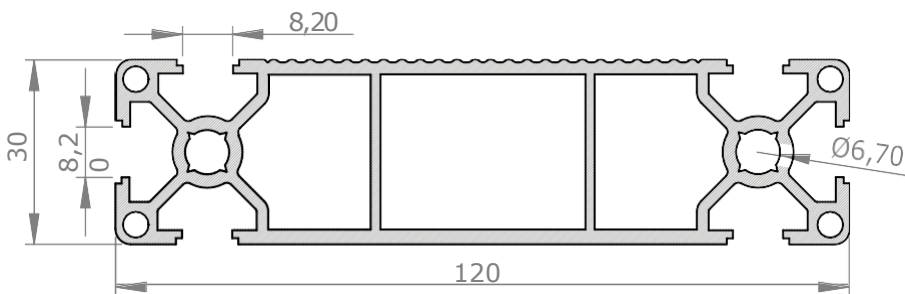
## SP22180 - 22,5x180 Slab Profile

Size	mm	22,5x180
Height	mm	6000
Inertia Ix	cm <sup>4</sup>	581,20
Inertia Iy	cm <sup>4</sup>	11,90
Moment of Resistance Wx	cm <sup>3</sup>	66,70
Moment of Resistance Wy	cm <sup>3</sup>	14,60
Weight	kg/mt	5,70

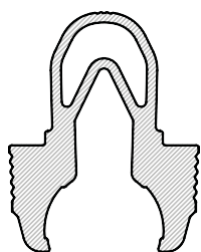


## SP30120-30x120 Sigma Profile

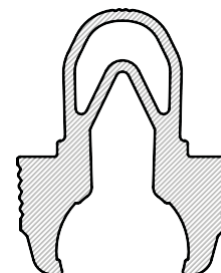
Size	mm	30x120
Height	mm	6000
Moment of Inertia Ix	cm <sup>4</sup>	11,27
Moment of Inertia Iy	cm <sup>4</sup>	2,81
Moment of Resistance Wx	cm <sup>3</sup>	4,92
Moment of Resistance Wy	cm <sup>3</sup>	2,40
Weight	kg/mt	2,50



## SPÇ12-Ø12 Blok Guide Profile



## SPÇ20-Ø20 Blok Guide Profile





## Fitting Equipment / Spring Nuts

YS001  
45 SERIES M8 Spring Nuts



YS002  
45 SERIES M6 Spring Nuts



YS003  
45 SERIES M5 Spring Nuts



YS004  
45 SERIES M4 Spring Nuts



YS005  
45/M8 Channel 8 Spring Nuts



YS006  
45/M6 Channel 8 Spring Nuts



YS007  
45/M5 Channel 8 Spring Nuts



YS008  
45/M4 Channel 8 Spring Nuts



YS009  
30 SERIES M6 Spring Nuts



YS010  
30 SERIES M5 Spring Nuts



YS011  
30 SERIES M4 Spring Nuts



## Fitting Equipment / Knurled Nuts

TS001  
45 SERIES M8 Knurled Nuts



TS002  
45 SERIES M6 Knurled Nuts



TS003  
45 SERIES M5 Knurled Nuts



TS004  
45 SERIES M4 Knurled Nuts



TS005  
30 SERIES M6 Knurled Nuts



TS006  
30 SERIES M5 Knurled Nuts



TS007  
30 SERIES M4 Knurled Nuts



## Fitting Equipment / Rectangle Nuts

DS001  
45 SERIES M8 Rectangle Nuts



DS002  
45 SERIES M6 Rectangle Nuts



DS003  
45 SERIES M5 Rectangle Nuts



## Fitting Equipment / Square Nuts

KS001  
45 SERIES M8 Square Nuts



KS002  
45 SERIES M6 Square Nuts



KS003  
45 SERIES M5 Square Nuts

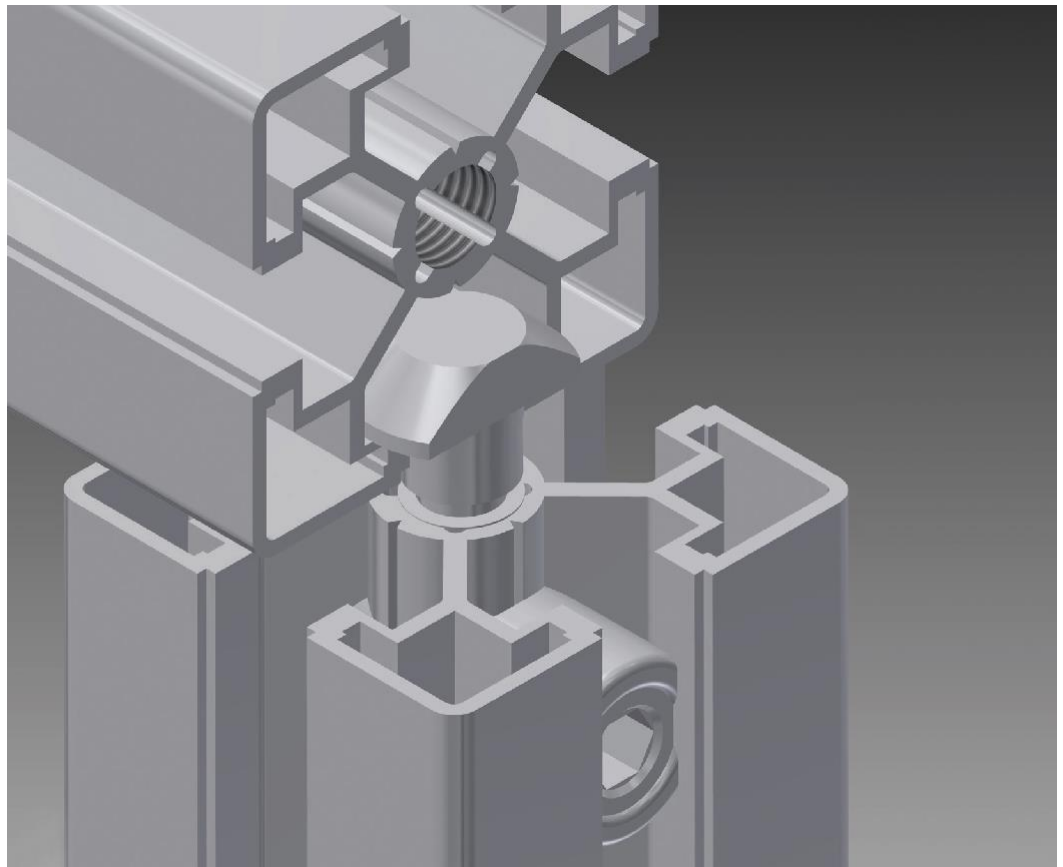


## Fitting Equipment / T Slot Nuts

STS001  
45 SERIES M8 T Nuts



STS002  
45 SERIES M6 T Nuts



STS003  
45 SERIES M5 T Nuts



STS004  
30 SERIES M6 T Nuts

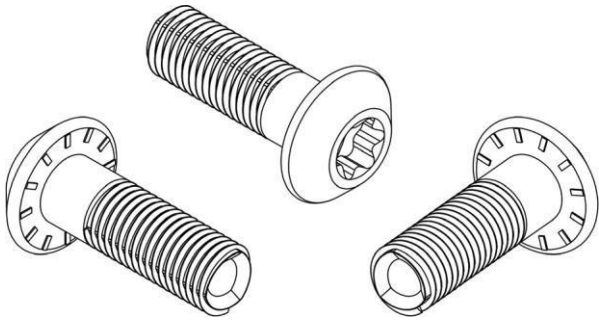


STS005  
30 SERIES M5 T Nuts



## Fitting Equipment / Butt Bolts

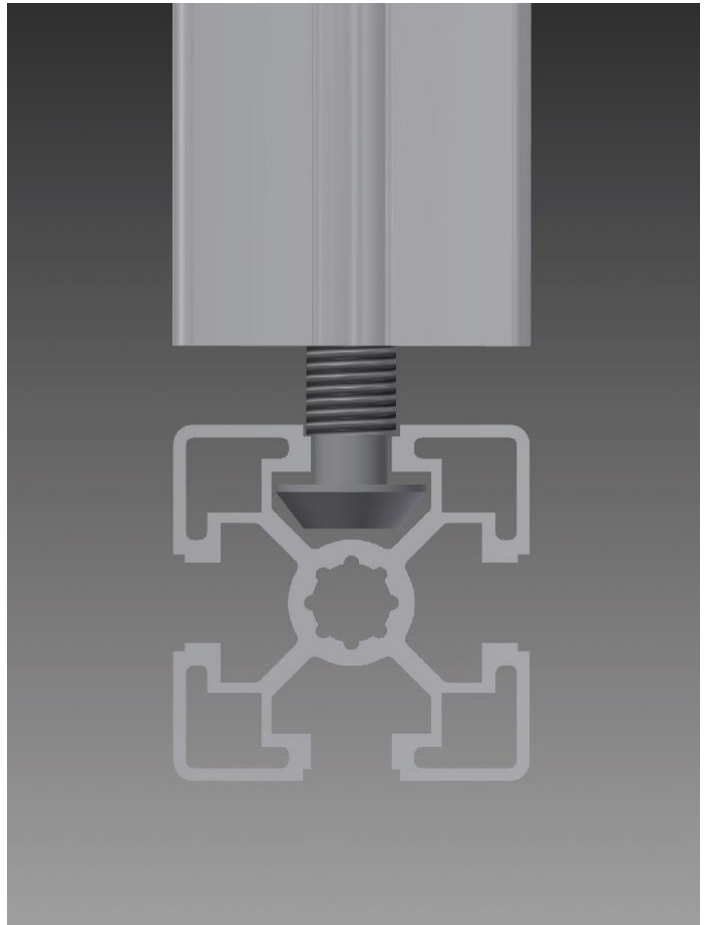
**SB005**  
45/M12 Torc Headed Self Tapping Bolts



**SB001**  
45/M12 Butt Bolts



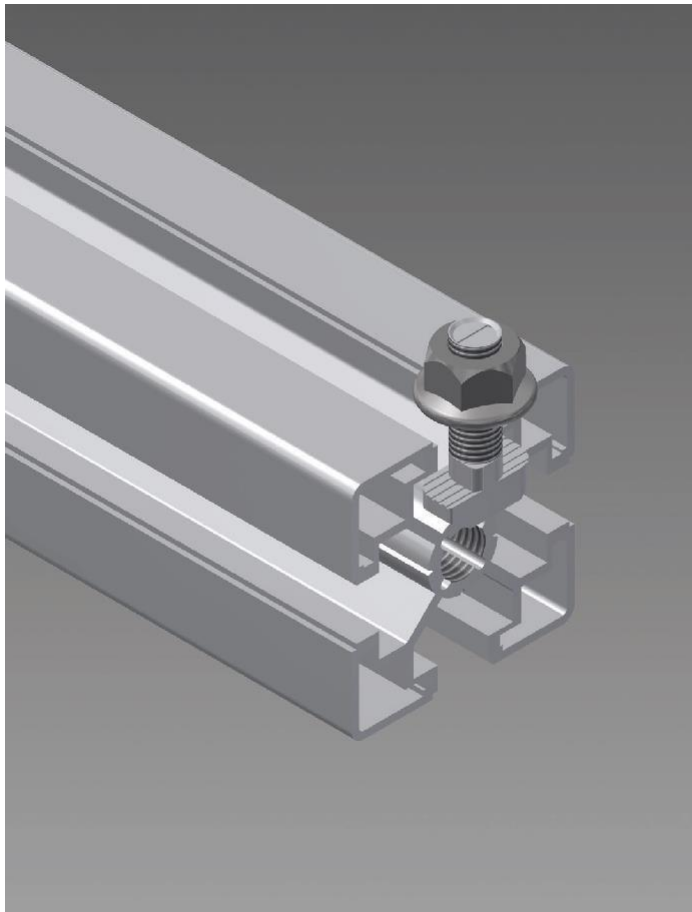
**SB002**  
45/M10 Butt Bolts



**SB003**  
30/M8 Butt Bolts



**SB004**  
20/M6 Butt Bolts



**AK075**  
6/20Knurled Pin Nut



**AK078**  
8/20Knurled Pin Nut



## Accessories / Corners

AK003  
45° Corners



AK004  
30° Corners



AK002  
90° Corners



AK007  
30° L Corners



AK006  
45° L Corners



AK008  
60° L Corners



AK009  
30° Narrow Corners



AK086  
45° Narrow Corners



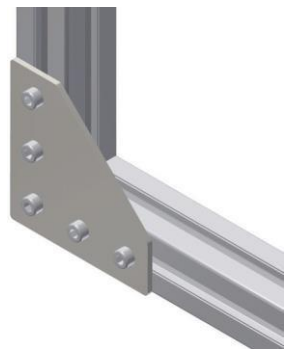
AK052  
30 SERIES HIDDEN LINK



AK053  
45 SERIES HIDDEN LINK



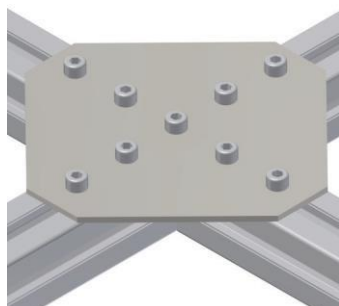
AK052  
45 SERIES ILL HIDDEN LINK



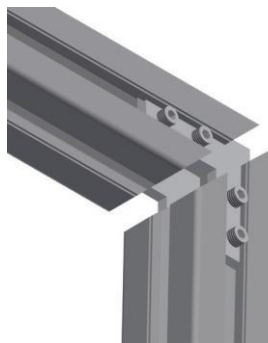
AK048  
45°\*45 3 sided link plate



AK049  
45°\*45 4 sided link plate



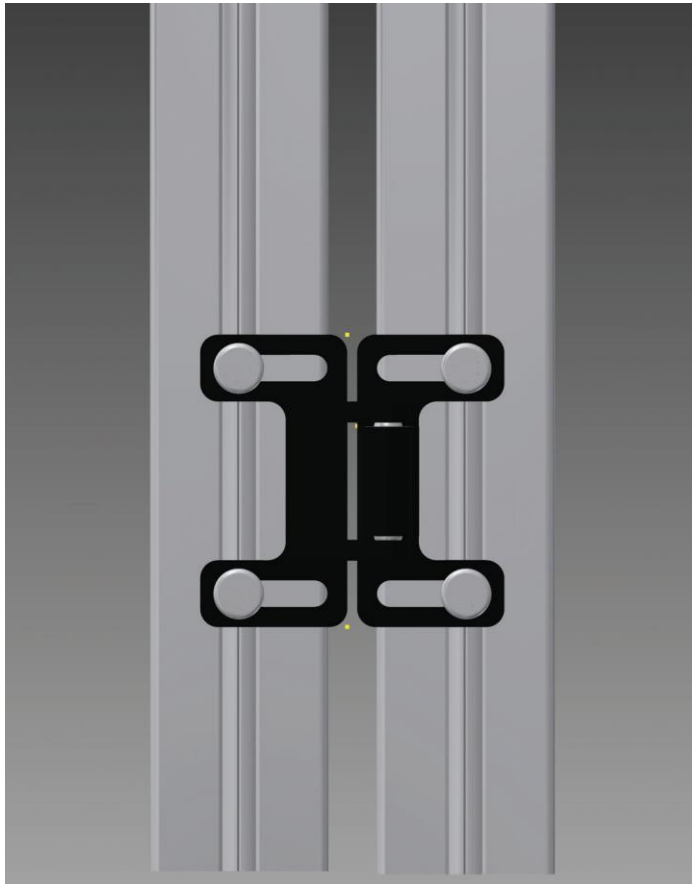
AK044  
30°\*30 90° Linking Metal



AK046  
45°\*45 90° Linking Metal



## Accessories / Hinges



AK012  
30\*30 PLASTIC HINGES



AK013  
45\*45 PLASTIC HINGES



AK087  
30' Plastic Ball Lock



AK015  
45' Plastic Ball Lock



## Accessories / Seals

AK066  
45' Soft Seal



AK065  
30' Soft Seal



AK126  
45' Hard Seal



AK128  
30' Hard Seal



AK127  
45' Grey Hard Seal



AK129  
30' Grey Hard Seal



AK067  
Glass Soft Seal



AK068  
Sheet Soft Seal



## Accessories /Foot

AK037  
M10 PLASTIC FEET



AK038  
M12 PLASTIC FEET



AK039  
M16 PLASTIC FEET



AK036  
M8 PLASTIC FEET



AK074  
Ø 100 Wheel With Brake



AK073  
Ø 100 Wheel



AK070  
Ø 50 Wheel With Brake



AK069  
Ø 50 Wheel



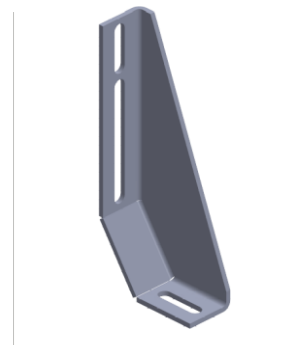
AK072  
Ø 75 Wheel With Brake



AK071  
Ø 75 Wheel



AK001  
DKP Feet Ground Fixing



AK010  
30' Shelf Adjustment Plate



AK011  
45' Shelf Adjustment Plate



## Accessories / Plastic Caps

---

AK016  
20 PLASTIC CAPS



AK017  
30 PLASTIC CAPS



AK019  
30 RADIUS PLASTIC CAPS



AK025  
30\*60 PLASTIC CAPS



AK018  
40 PLASTIC CAPS



AK026  
40\*80 PLASTIC CAPS



AK021  
45 PLASTIC CAPS



AK020  
45 RADIUS PLASTIC CAPS



AK028  
45\*135 PLASTIC CAPS



AK029  
45\*180 PLASTIC CAPS



AK023  
45\*60 PLASTIC CAPS



AK022  
45\*90 PLASTIC CAPS



AK024  
60\*60 PLASTIC CAPS



AK030  
90\*180 PLASTIC CAPS



AK027  
90\*90 PLASTIC CAPS





## Accessories / Others

**AK050**  
30SERIES PULLER CONN PLAIN



**AK051**  
45SERIES PULLER CONN PLAIN



**AK034**  
30' Moving Joint



**AK035**  
45' Moving Joint



**AK040**  
30\*60 Foot Fastener



**AK041**  
45\*90 Foot Fastener



**AK042**  
90\*90 Foot Fastener



**AK043**  
40\*80 Foot Fastener



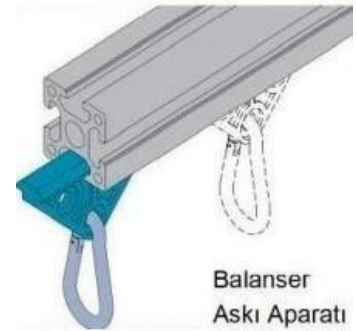
**AK106**  
PLEXI HOLDER



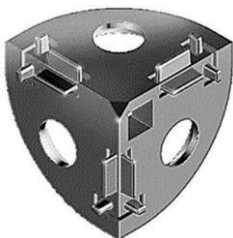
**AK064**  
PLASTIC HANDLE



**AK055**  
HANGER KIT



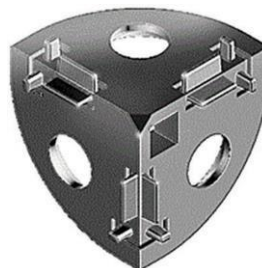
**AK088**  
30x30RADIUS Set



**30x30RADIUS Corner Cap**



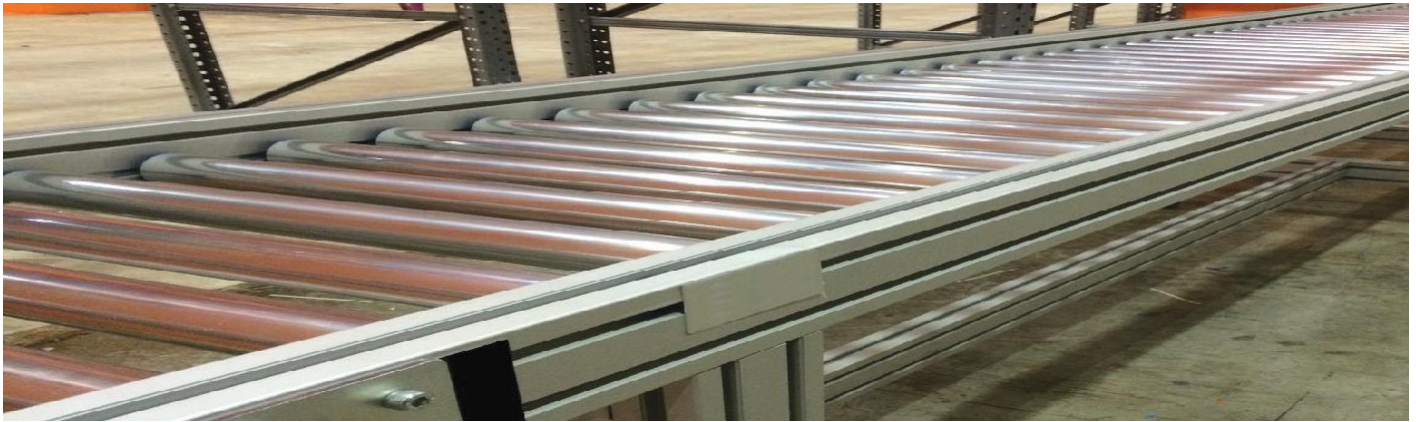
**AK089**  
45x45RADIUS Set



**45x45RADIUS Corner Cap**



## Accessories / Conveyor



AK060  
KTRRollHead60\*1,5mm



AK061  
KTRRollHead 50\*1,5mm



AK062  
KTRRollHead 40\*1,5mm



AK063  
KTRRollHead 30\*1,5mm



AK056  
MTRRollHead 60\*1,5mm



AK057  
MTRRollHead 50\*1,5mm



AK058  
MTRRollHead 40\*1,5mm



AK059  
MTRRollHead 30\*1,5mm



AK031  
Tension Plate



AK032  
Drive Plate



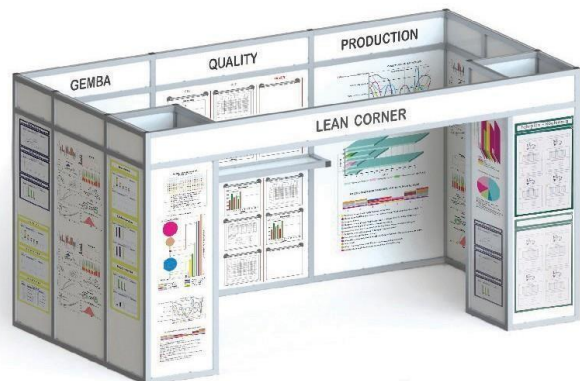
AK033  
Tension Kit



# Applications



Conveyors



ASAKAI ROOM AND Panels



Space Divider



# Applications



Platform



# Applications



Platform



Product Transporter and Transfer Cars



Assembly and Control Desks



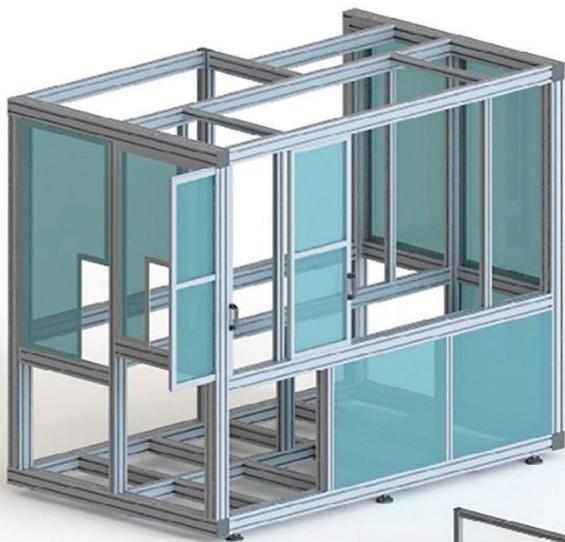
# Applications



Quality and ISG Panels



Work Station



Cabinet





# TRADEGE

**LIVE BY EXCHANGING**

TRADEGE FOREIGN TRADE COMPANY

 Adalet St. Manas Blv. Folkart Towers, Tower B No. 39, Bayrakli, Izmir, 35530, Turkey

 +90 506 450 9208

 [export@tradege.com.tr](mailto:export@tradege.com.tr)

 [www.tradege.com.tr](http://www.tradege.com.tr)